



Frameless Glass

Solid Core Wood

Framed 6 Inch Stile

Framed 4 Inch Stile

Framed 2 Inch Stile

COMPONENTS & MATERIALS

Aluminum Extrusions

Door, Door Frame, Track and Track Cover Extrusions
Architectural Grade and Structural Aluminum Alloys

Finishes

Clear Anodized Aluminum (5 micron standard)
Powder Coated Aluminum (Door Frame)
Architectural Grade Veneer; stained (Track Cover, Framed 2" & 4" Stile, Solid Core Wood Doors)
UV Cured Water Based Finishes (Framed 6" Stile & Solid Core Wood Doors only) Color selection per manufacturer's standard range
Custom color matches (client approval required)
Sliding Door Track Finish Clear Anodized Only
Frameless Glass

PVC Components

Frame Connections
Rigid/Flex Co-extrusion
Ceiling Trim/Wall Start
Rigid/Flex Co-extrusion
Glass Retainer
Rigid/Flex Co-extrusion
PVC Color Options
Black, Charcoal, Silver
Custom as required

Door Seal Components

Rigid/Flex PVC Co-extrusion (strike and guide side)
PVC Color options – as above in PVC components
For Double Sliding Door – Door Seal Extrusion & PVC Door Seal

Door Glass Components

Standard Tempered Glass 1/4" (6mm) – Option 3/8" (10mm)
Standard Laminated Glass 1/4" (6mm) – Option 3/8" (10mm)
Approved Custom Finishes

Solid Core Wood Door

Solid Core Wood Slab Door
Optional Door with Glass Lite
Solid Core Wood DIRT approved Custom Glass Lites

Door Hardware

Manufacturer's own sliding door track, track cover and door roller assembly with alignment pin on floor
Locking Doors with interchangeable cores also available in non-locking functions. See Specific Tech Sheet for details.

Optional Door Hardware

DIRTT Door Pulls
DIRTT Approved Custom Hardware (Supplied "By Others")

Operating Force Testing Results

Does not exceed 5 lbs force (See Engineering Report - Operating Force Test)

DIMENSIONS & DETAILS

Frame

Frame Width (Single Door)	40" - 60" (1016 - 1524mm)*
Frame Width (Double Door)	80" - 120" (2032 - 3048mm)*
Standard Ceiling Height	Up to 120" (3048mm)
Standard Frame Depth	4" (102mm)
Frame Height	Oversized in height; cut down on-site to suit opening

Door

Standard Door Thickness	1 1/16" (43mm)
Door Width (Single Door)	40 1/4" - 60 1/4" (1022 - 1530 mm)*
Standard Clear Opening Width	32 5/16" (821mm) clear (ADA Compliant)
Double Door Clear Opening Width	1 Door Open 32 1/2" (826mm) 2 Doors Open 67 7/16" (1663mm)
Door Height Adjustment	Adjust in conjunction with DIRT Moveable System
Standard Door Stiles	2" (51mm); 4" (102mm) and 6" (152mm) wide

*Maximum size depends on Door Style and Finish; see detailed Tech Sheets.

Track Assembly

Height	1 9/16" (40mm)
Track Depth	1 7/8" (48mm)
Track Width (standard)	73 1/2" (1867mm) includes end caps. Adjusts to suit parametric widths
Double Door Track Width (standard)	146 3/4" (3728mm) 2 tracks joined at middle
Pneumatic Slow Down Mechanism Installation Includes:	Attached to door Unique hanger design requiring no fasteners to the DIRT frame system or drywall

Frame Connections (DIRTT Wall and/or Drywall to Frame)

Hidden Links	Frame alignment and gap control
Visible PVC Connectors	At frame connection between the door frame and the adjacent frame
Over Sized and Double Doors	Must have Seismic brackets installed to support track at middle of joint

Trim Components

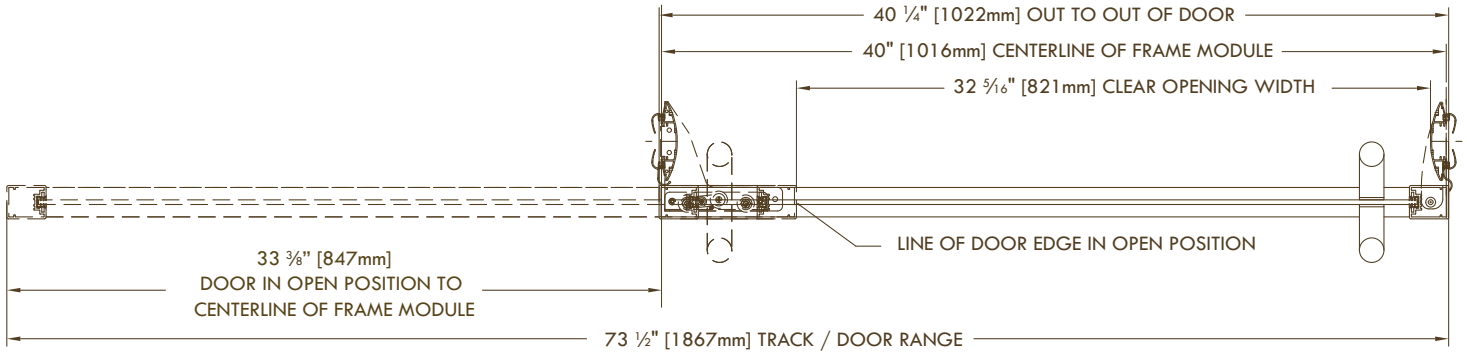
Ceiling Trim	Flexible trim from top of wall to ceiling
Wall Trim	Rigid connection from Door Frame to Base Building; combined with flexible Wall Trim

Other Options

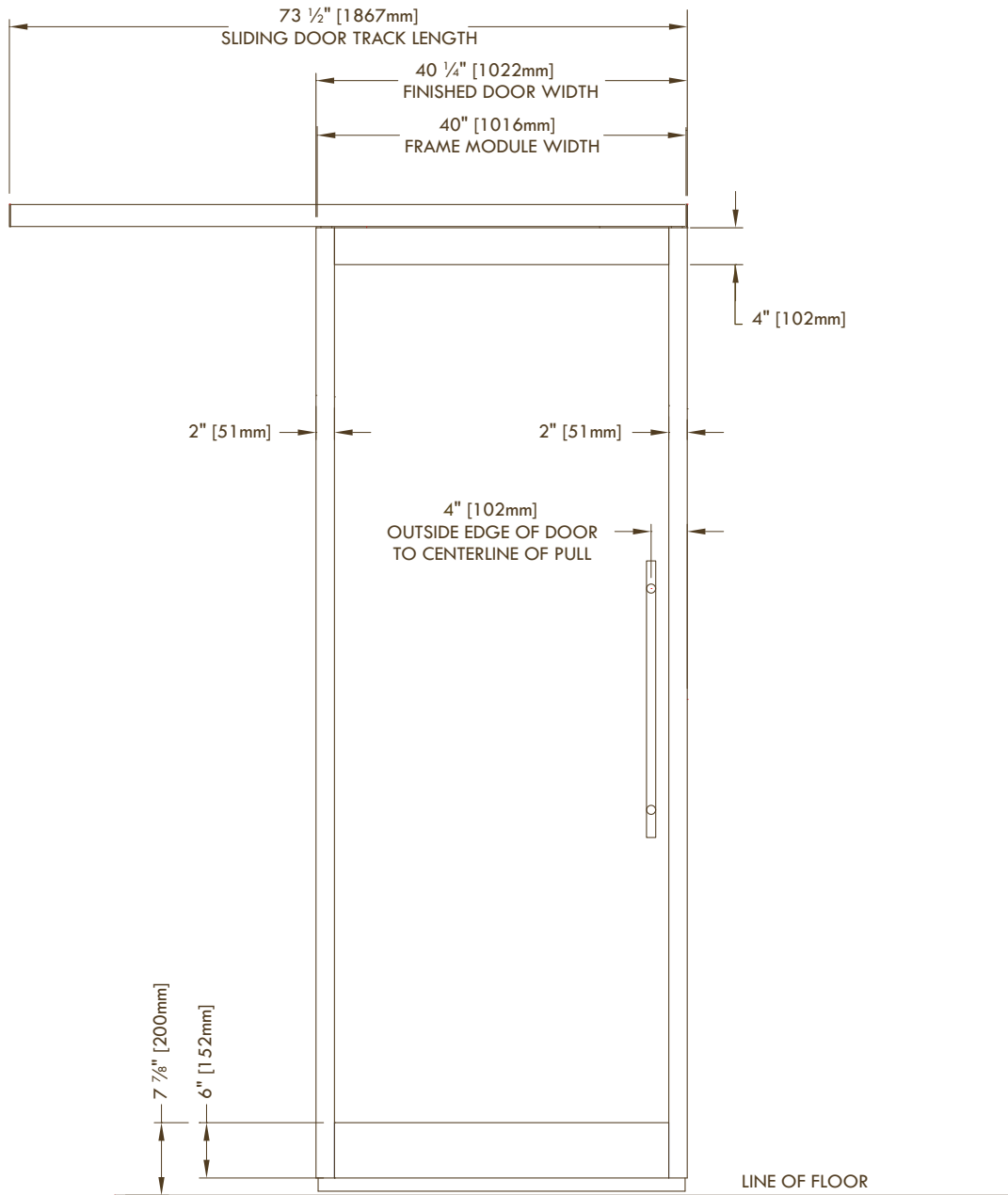
Glass or Solid Transom over door (door frame option)
Applied muntins on glass (anodized or powder coat finish only)
COM Doors - Hardware Prepared to DIRT Standards
Drywall Face Mounted Sliding Door

CLEARANCE

*For more details, please contact your DIRTT Rep

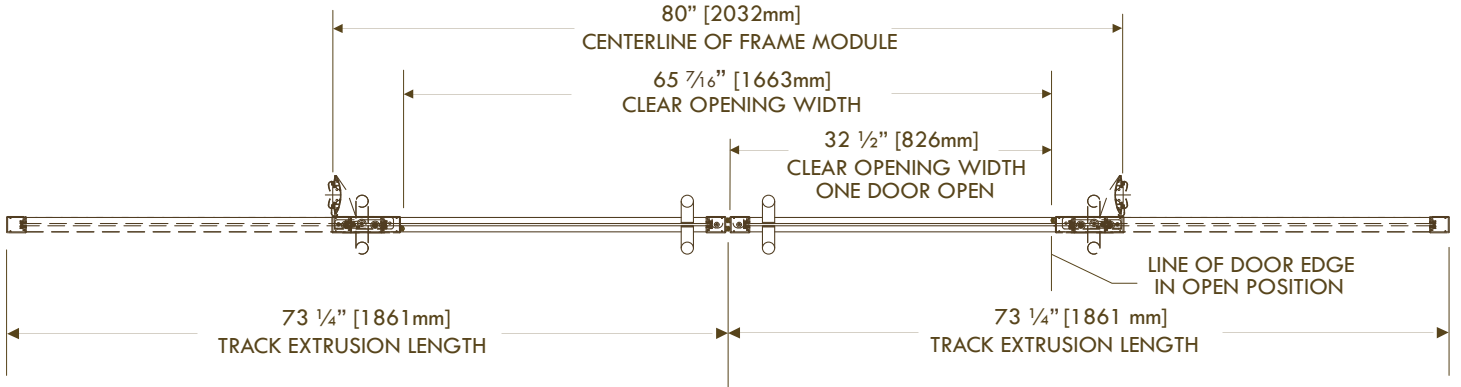


PLAN VIEW/ELEVATION



CLEARANCE - DOUBLE DOOR

*For more details, please contact your DIRT Rep



PLAN VIEW/ELEVATION

(NTS)

