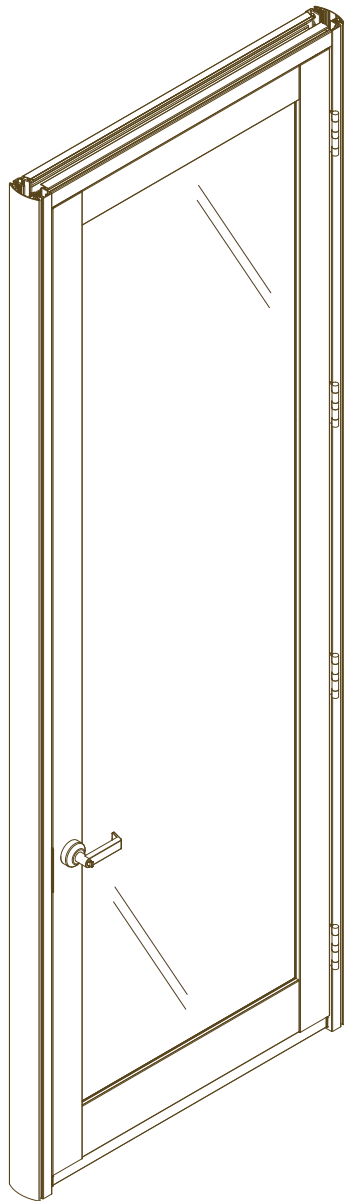
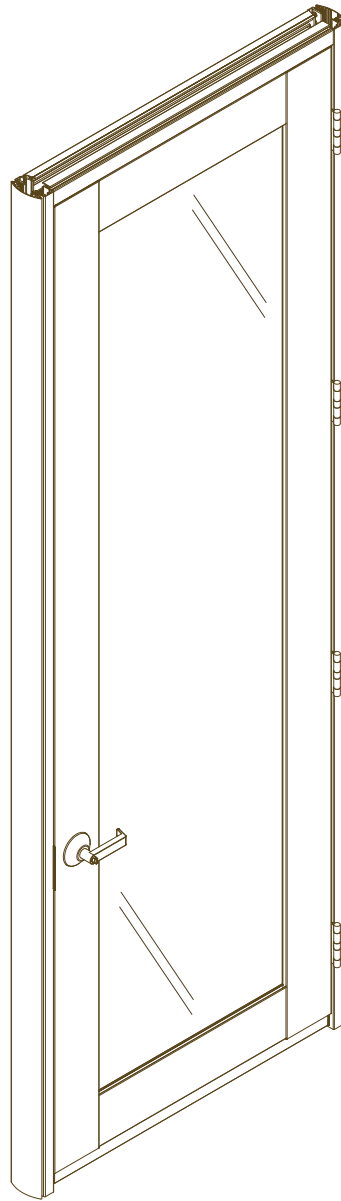


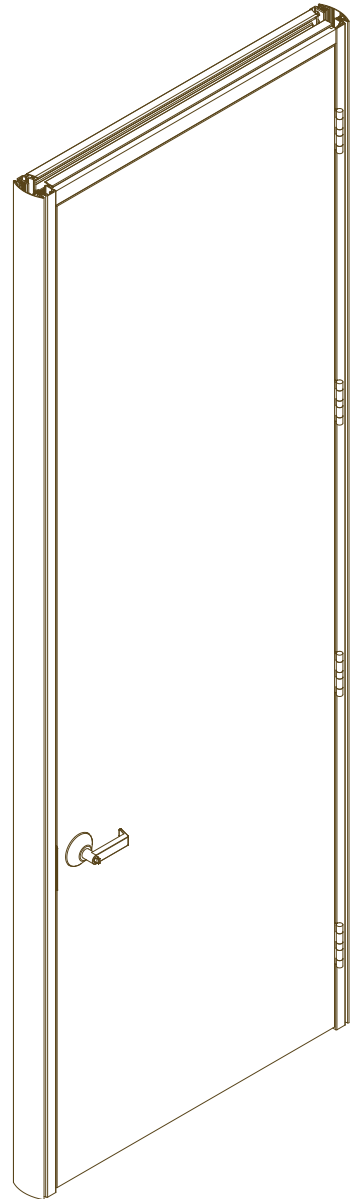
OVERVIEW - TECH SHEET BUTT HINGE DOORS



Framed 4 Inch Stile



Framed 6 Inch Stile



Solid Core Wood

COMPONENTS & MATERIALS

Aluminum Extrusions

Door, Door Frame Extrusions
Architectural Grade and Structural Aluminum Alloys

Finishes

Clear Anodized Aluminum (5 micron standard)
Powder Coated Aluminum (Door Frame)
Architectural Grade Veneer; stained (Door Frame, Framed 4" Stile & Solid Core Wood Doors)
UV Cured Water Based Finishes Color; selection per manufacturer's standard range (Framed 6" Stile & Solid Core Wood Doors only)
Custom color matches (client approval required)

PVC Components

Frame Connections
Rigid/Flex Co-extrusion
Ceiling Trim/Wall Start
Rigid/Flex Co-extrusion
Glass Retainer
Rigid/Flex Co-extrusion
PVC Color Options
Black, Charcoal, Silver,
Custom as required

Door Seal Components

Aluminum Stop (anodized or powder coat finish only) with PVC door seal
PVC Color Options – as above in PVC components

Door Glass Components

Standard Tempered Glass 1/4" (6mm) – Option 3/8" (10mm)
Standard Laminated Glass 1/4" (6mm) – Option 3/8" (10mm)
Approved Custom Finishes

Solid Core Wood Door

Solid Core Wood Slab Door
Optional Door with Glass Lite
Solid Core Wood DIRT approved Custom Glass Lites

Door Hardware

Stanley 4 1/2" x 4" Butt Hinges, F179 (BB1409)
4 hinges per door
Cylindrical Hardware
Falcon B series; Schlage AL series; Schlage S series;
available in passage and entrance/office functions;
Custom
DIRTT standard mounting height for levers is 38" (965mm) Above Finish Floor (AFF) to centerline of lever

Optional Door Hardware

DIRTT Door Pulls
Top flush bolts, roller catches
DIRTT Approved Custom Hardware (Supplied "By Others")
Compatible Door closers (Supplied "By Others")

DIMENSIONS & DETAILS

Frame

Frame Width (Single Door)	38" - 48" (965 - 1219mm)*
Frame Width (Double Door)	73 1/8" - 93 1/8" (1857 - 2365mm)*
Standard Ceiling Height	Up to 120" (3048mm)
Standard Frame Depth	4" (102mm)
Frame Height	Oversized in height; cut down on-site to suit opening

Door

Standard Door Thickness	1 1/16" (43mm)
Door Width (Single Door)	35" - 45" (940 - 1143mm)*
Standard Clear Opening Width	34 1/4" (870mm) clear (ADA Compliant)
Double Door Clear Opening Width	1 Door Open 34 15/16" (888mm) 2 Doors Open 69 3/4" (1772mm)
Door Height Adjustment	Adjustable with system
Standard Door Stiles	4" (102mm) and 6" (152mm)

*Maximum size depends on Door Style and Finish; see detailed Tech Sheets.

Frame Connections (DIRTT Wall and/or Drywall to Frame)

Hidden Links	Frame alignment and gap control
Visible PVC Connectors	At frame connection between the door frame and the adjacent frame

Trim Components

Ceiling Trim	Flexible trim from top of wall to ceiling
Wall Trim	Rigid connection from Door Frame to Base Building; combined with flexible Wall Trim

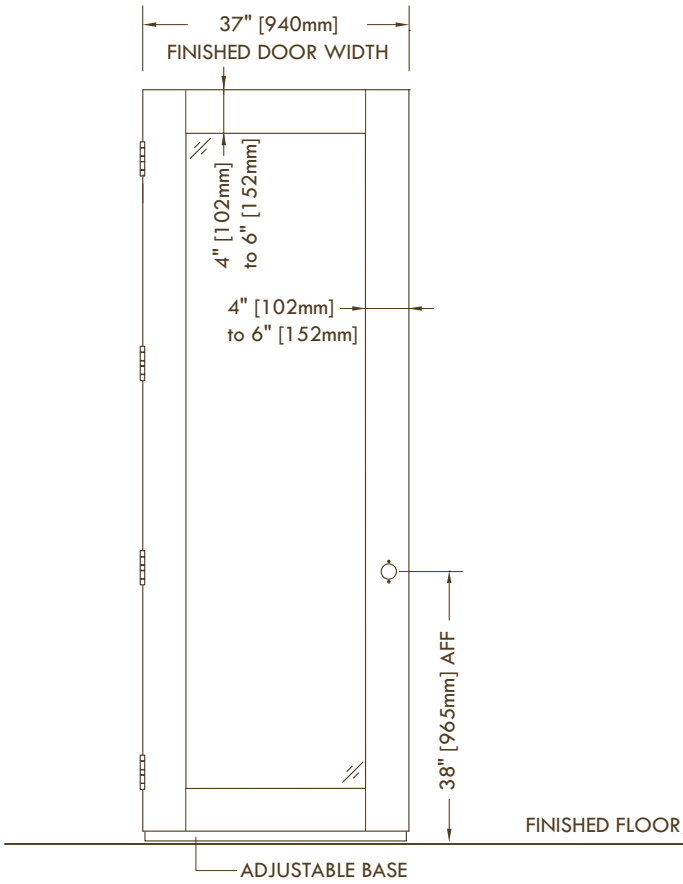
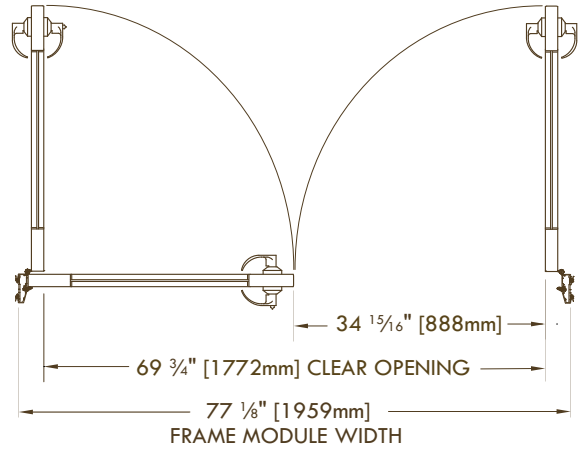
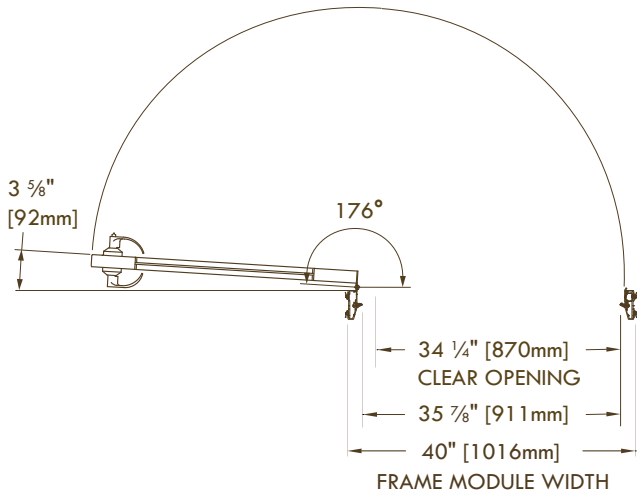
Other Options

Glass or Solid Transom over door (door frame option)
Applied Muntins on glass (anodized or powder coat finish only)
COM Doors - Hardware Prepared to DIRT Standards

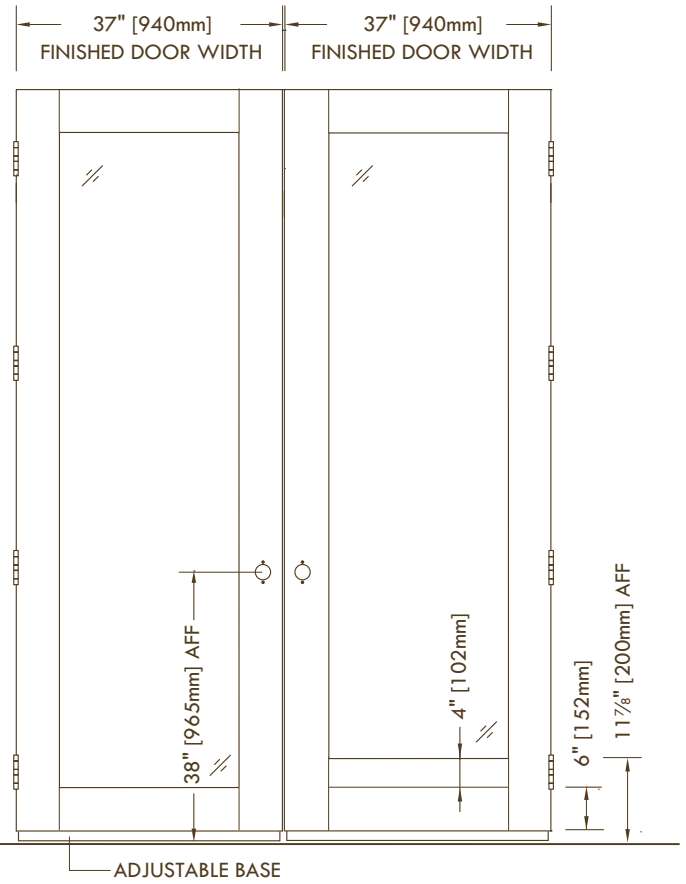
PLAN VIEW / ELEVATION

(NTS)

*For more details, please contact your DIRT Rep.



BUTT HINGE DOOR



DOUBLE BUTT HINGE DOOR

BUTT HINGE DOOR - ADA